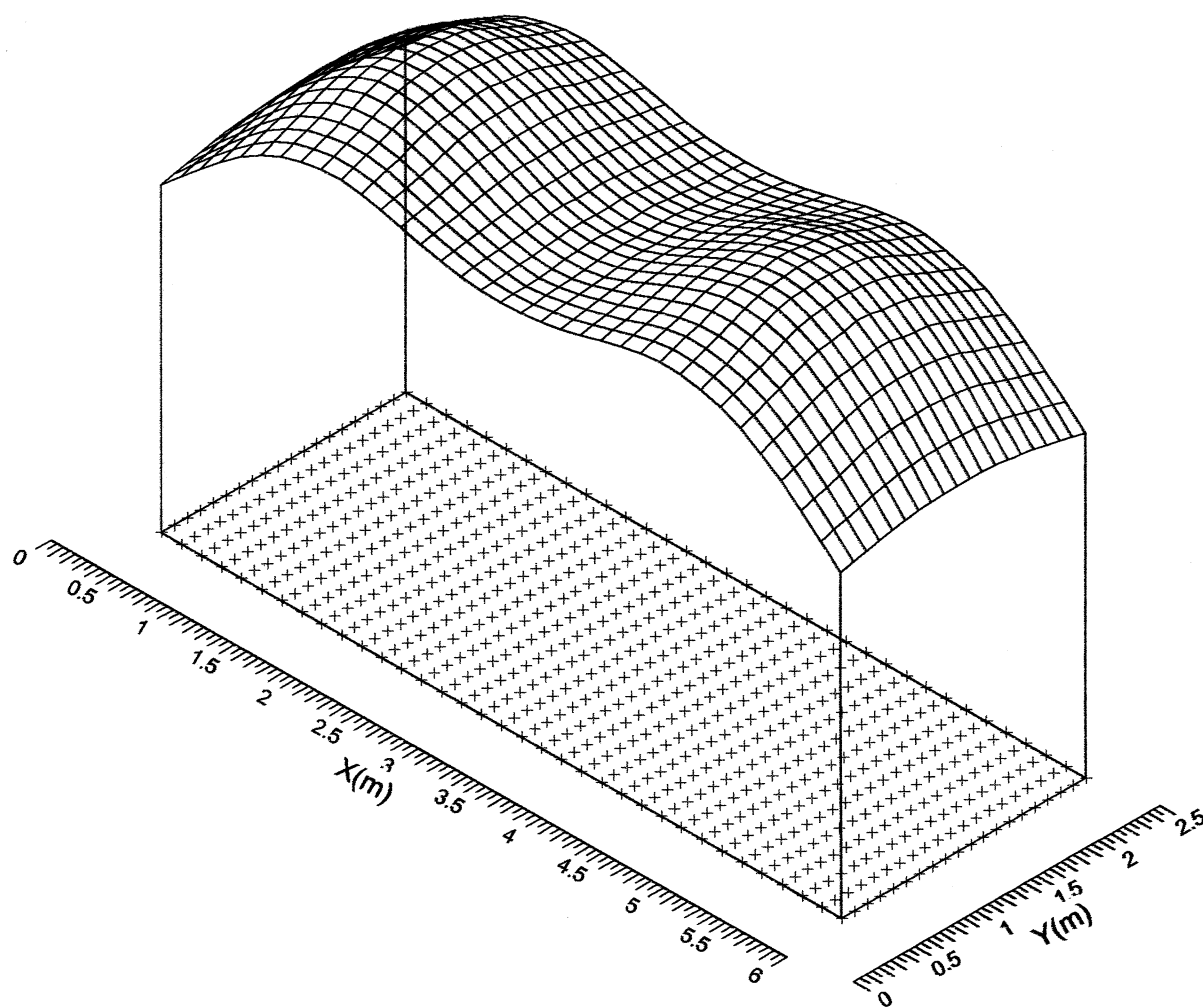


1.2 Siatka: Mountain Plot

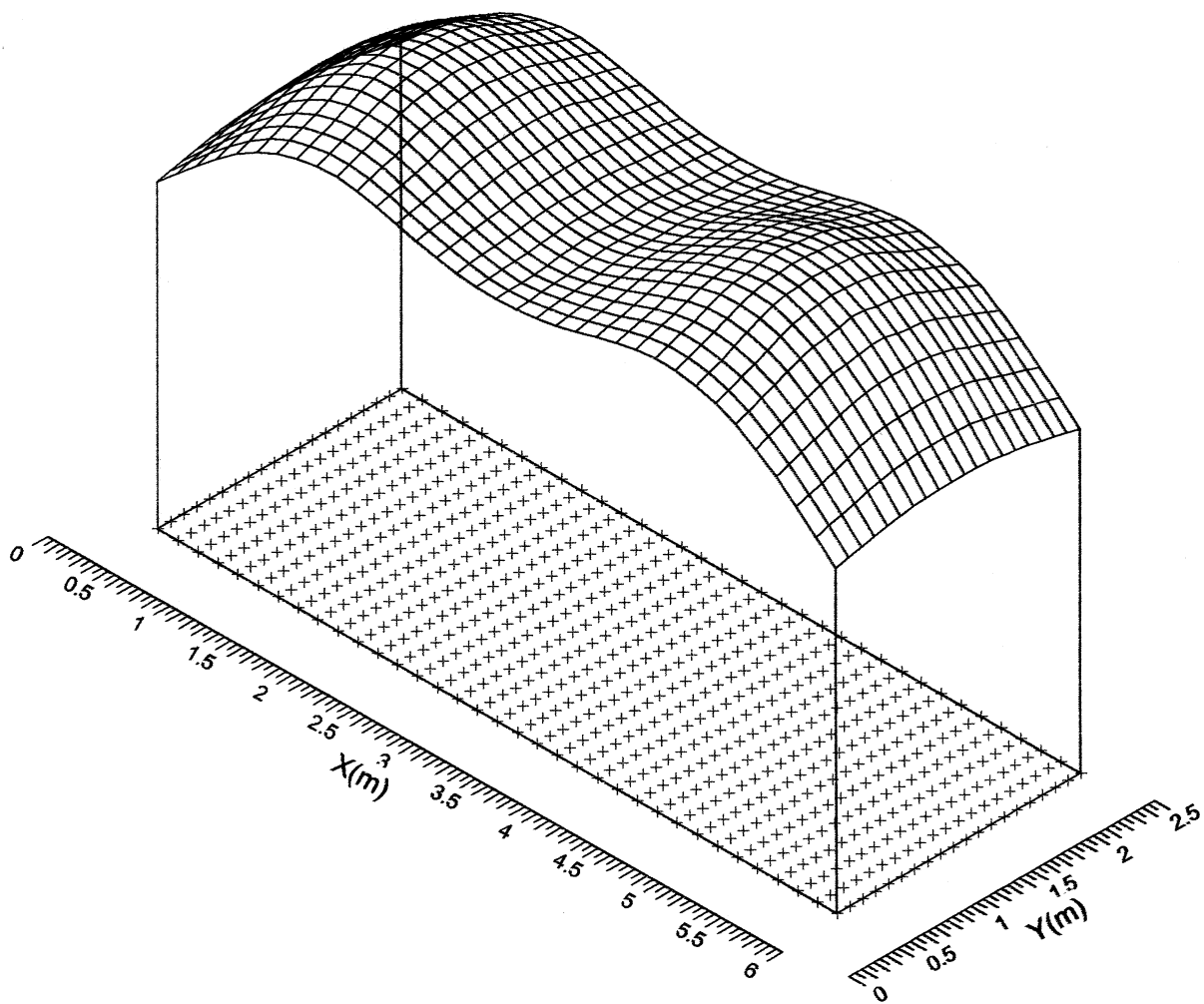
Grid : Siatka at Z = 0.80 m
 Calculation : Surface Illuminance (lux)
 Result Type : Total



Average	Minimum	Maximum	Min/Ave	Project new value factor
321	251	360	0.78	1.30

1.2 Siatka: Mountain Plot

Grid : Siatka at Z = 0.80 m
Calculation : Surface Illuminance (lux)
Result Type : Total



Average
321

Minimum
251

Maximum
360

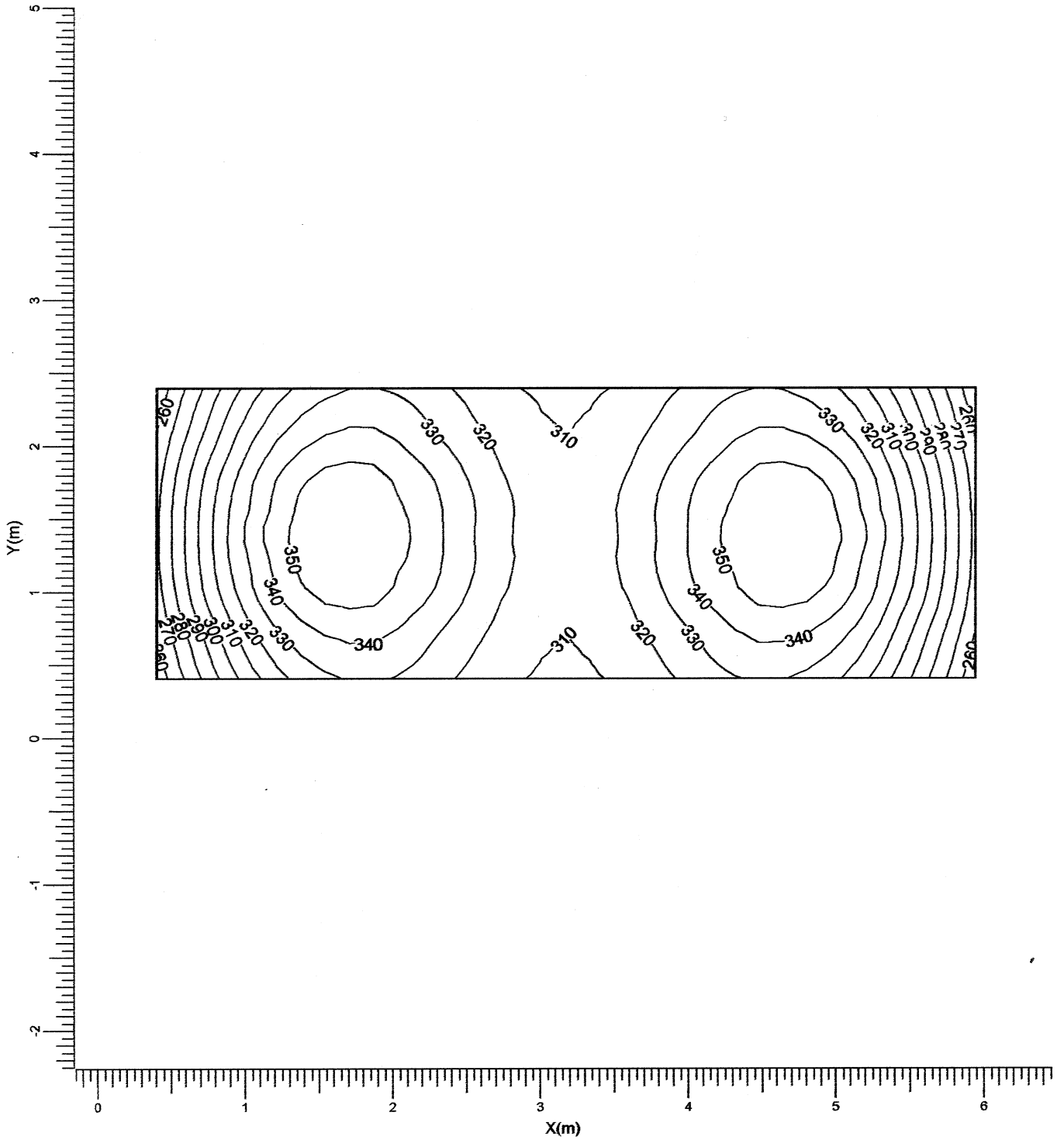
Min/Ave
0.78

Project new value factor
1.30

1. Calculation Results

1.1 Siatka: Iso Contour

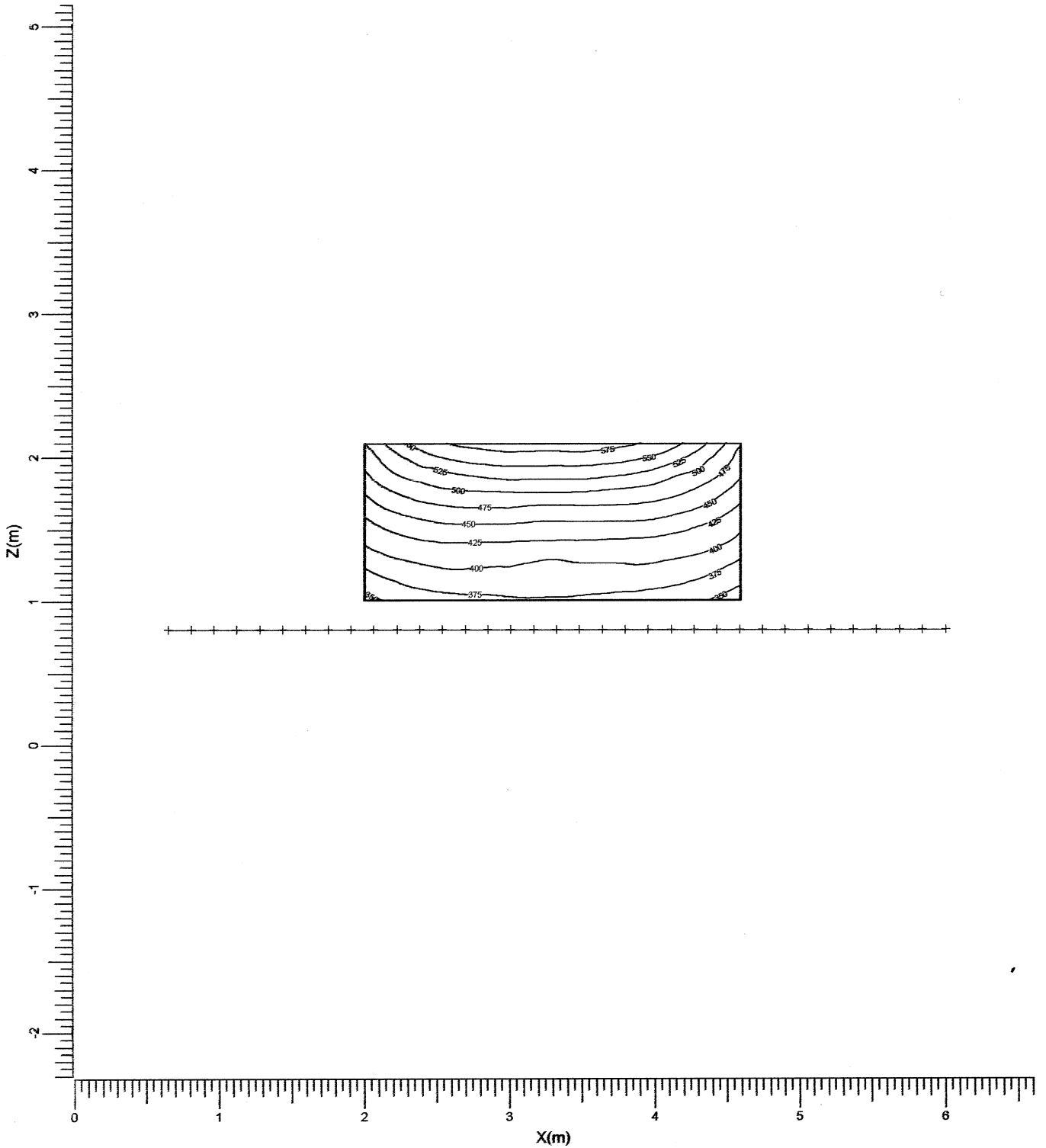
Grid : Siatka at Z = 0.80 m
 Calculation : Surface Illuminance (lux)
 Result Type : Total



Average 321	Minimum 251	Maximum 360	Min/Ave 0.78	Project new value factor 1.30	Scale 1:40
----------------	----------------	----------------	-----------------	----------------------------------	---------------

1.3 Siatka1: Iso Contour

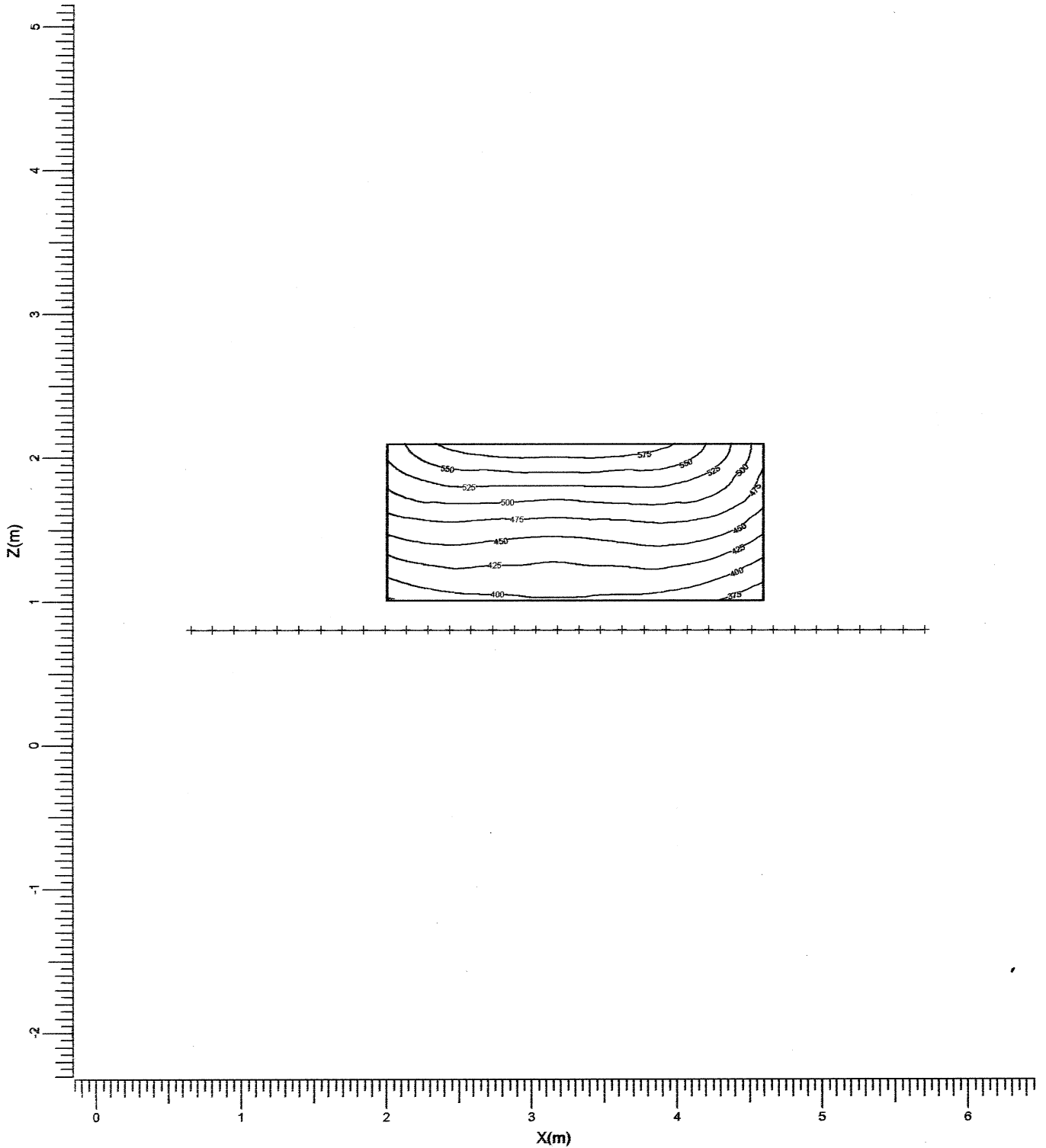
Grid : tablice at Y = 8.75 m
 Calculation : Surface Illuminance (lux)
 Result Type : Total



Average 450	Minimum 335	Maximum 588	Min/Ave 0.74	Project new value factor 1.25	Scale 1:40
----------------	----------------	----------------	-----------------	----------------------------------	---------------

1.3 Siatka1: Iso Contour

Grid : tablice at Y = 8.45 m
 Calculation : Surface Illuminance (lux)
 Result Type : Total



Average 474	Minimum 355	Maximum 597	Min/Ave 0.75	Project new value factor 1.25	Scale 1:40
----------------	----------------	----------------	-----------------	----------------------------------	---------------